



# R6048E21RX

59.5" x 47.5" x 21.25"

**GENERAL SPECIFICATIONS:**

**Installation:** Drop-In (cannot be undermounted)

**Material:** Acrylic

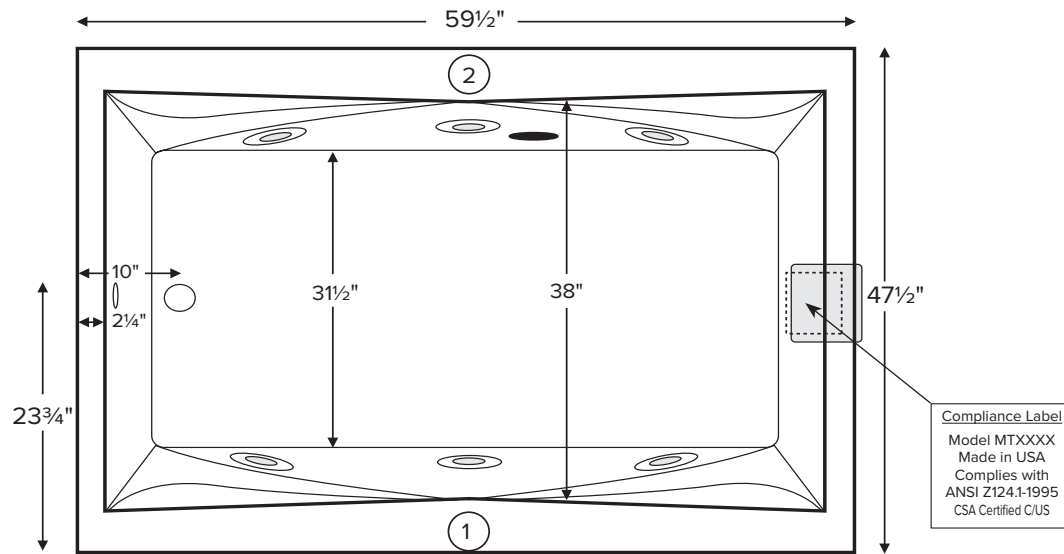
**Plumbed Weight:** 125 lbs / 57 kg

**Soaker Weight:** 100 lbs / 45 kg

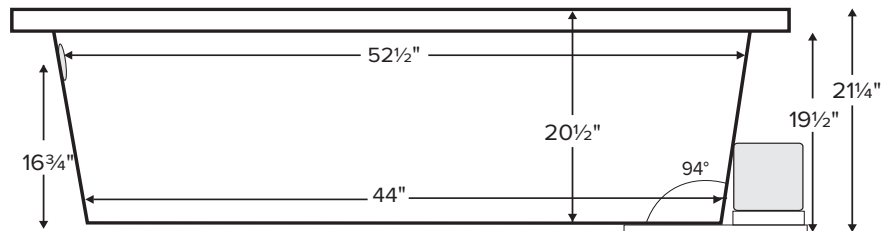
**Average Fill:** 39 gal to above jet level

**Maximum Fill:** 77 gal to overflow

**NOTE:** Filling this tub to the maximum may require an above average size or dedicated water heater.



Shown with Whirlpool Package



Hydrotherapy Package	Components Included	GFCI / 110V
Soaker with Optional Inline Heater	½-bhp pump, inline heater	1-15 amp
Whirlpool or Air Bath	1-bhp pump	1-15 amp
Whirlpool with Optional Inline Heater	1-bhp pump, inline heater	1-20 amp
Air Bath with Optional Inline Heater	heated blower, ½-bhp pump, inline heater	2-15 amp

CSA Certified C/US; ANSI Z124.1 and ANSI 112.19.7

**Important Ordering and Installation Information**

- Before ordering or installing, consider access to equipment.
- Always measure tub on-site before building tub deck.
- Use proper bedding compound to fully level and support the tub.
- Tubs equipped with an air system or factory installed pre-leveled foam base are designed to install directly onto a flat level subfloor.
- Tub height is increased up to 3" when equipped with factory-installed foam base.
- Location of all therapy components is predetermined and cannot be changed.
- Options listed cannot be combined with Designer Collection options.

• Before discarding tub crate, check for accessories that may be packaged inside.  
 • All product measurements are ±1/2".  
 • Specifications and configurations are subject to change without notice.  
 • Measurements herein supersede all others published prior to publication date below.

PACKAGE	PACKAGE CONTENTS	PART #
<b>Soaker</b>	Soaking bath - No jets. Includes textured bottom.	R6048E21RXS
<b>Air Bath</b>	12 air jets, heated air blower, pre-leveled foam base and textured bottom. <i>pre-leveled foam base increases overall tub height 2"-3"</i>	R6048E21RXA
<b>Whirlpool</b>	6 point-massage jets, 1-bhp pump and textured bottom	R6048E21RXW

<b>OPTIONS</b> <i>(must be ordered at time of purchase)</i>
<b>Color Upgrade:</b> Biscuit (RCOLOR)
<b>Inline Heater</b> For Whirlpool (RHTI) Heater with Recirculating Pump for Soaker & Air Bath (RHTISOAK)
<b>ACCESSORIES</b>
<b>Lift and Turn Drain &amp; Overflow</b> Chrome (RWOC) Brushed Nickel (RWOBN) White (RWOW)
<b>Pillows</b> Soft Pillow White (RPSW) Black (RPSB) Roll-Up Pillow Light Aqua (RPRUC) Black (RPRUB)
<b>INSTALLATION OPTIONS</b> <i>(must be ordered at time of purchase)</i>
<b>Tile Flange</b> Field Installed (RTFKNI) - Kit includes ABS material and adhesive for 3 sides of coverage.
<b>Pre-Leveled Foam Base</b> (included with all airbaths) 5' Tubs (RPLFOAM) 5.5' & 6' Tubs (RPLFOAM2)